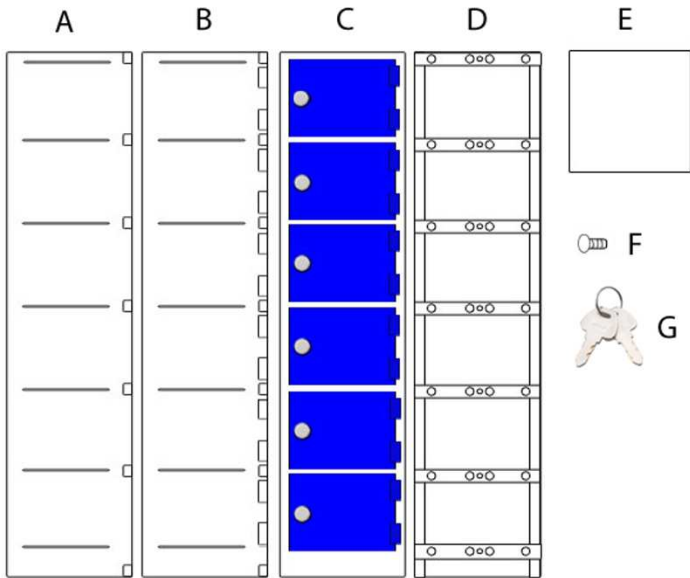


Building Instructions



Contents of Kit

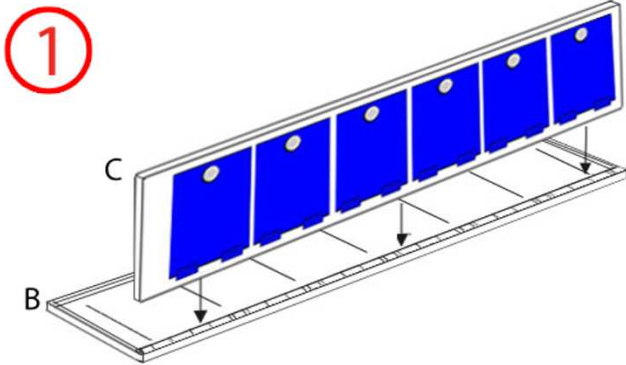
- A - Left Panel
- B - Right Panel
- C - Door Panel
- D - Back

- E - Dividers: 1 Door - 2 Dividers
- 2 Door - 3 Dividers
- 3 Door - 4 Dividers
- 4 Door - 5 Dividers
- 6 Door - 7 Dividers

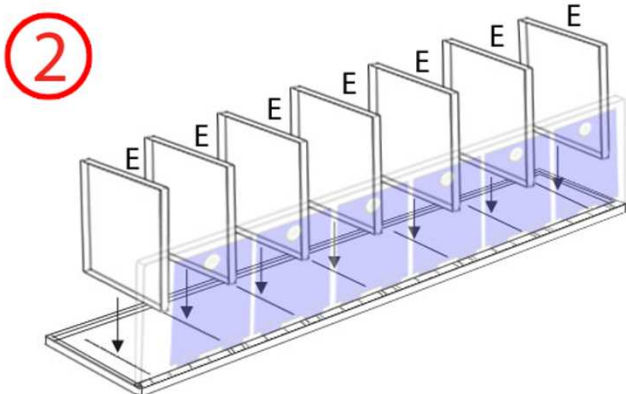
F - Screws

G - Keys for the Doors

Tool Required: Screw Driver

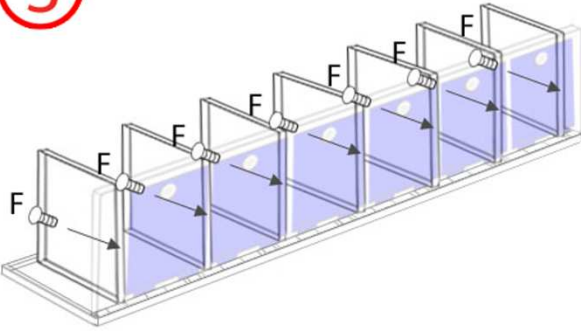


Lay down the **Right Panel (B)**. Line up the hinges from the **Door Panel (C)** with the grooves on the right panel. Push the front panel down and attach the two together.



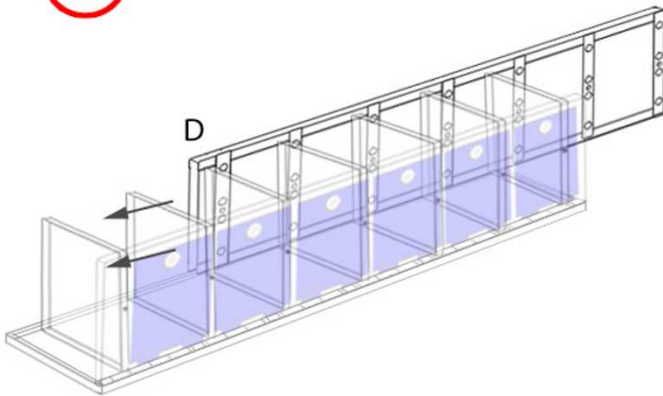
For 4 Door lockers - Take the **7 Dividers (E)** and slot **1 at the Top, 1 at the Bottom and 5 in the Middle**. you can use the slot on the right panel to identify where to place it.

3



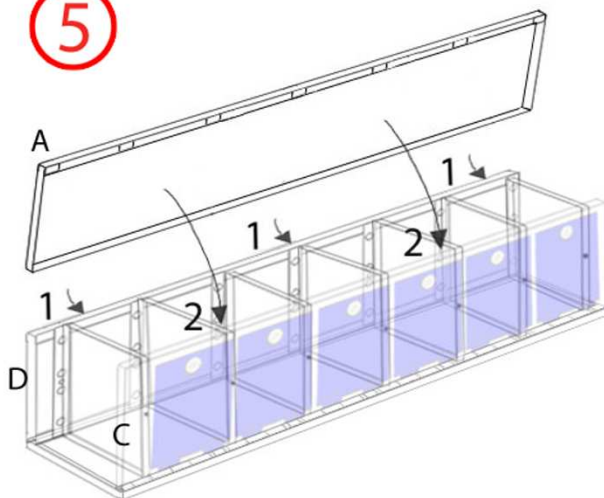
Screw (F) each of the dividers to the front panel with a screw in the centre.

4



Take the **Back Panel (D)** and slide along the back into the Right Panel.

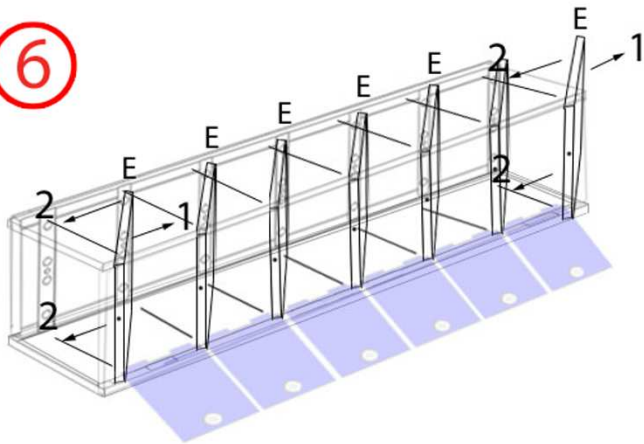
5



5 -1 **Hook the Left Panel (A)** to the back panel (D).
Note: Ensure grooves are on the opposite side, aligned with the Door Panel (C).

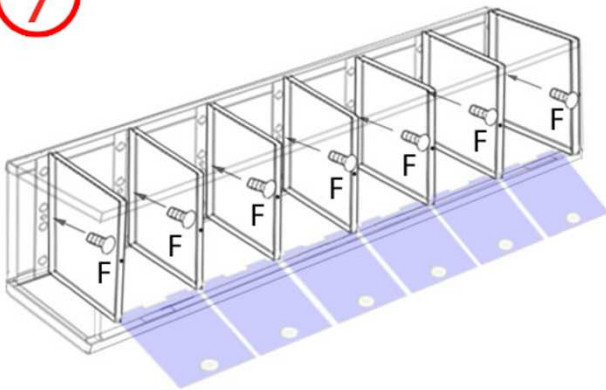
5 -2 Push the Left Panel down so the grooves will align with the front panel

6



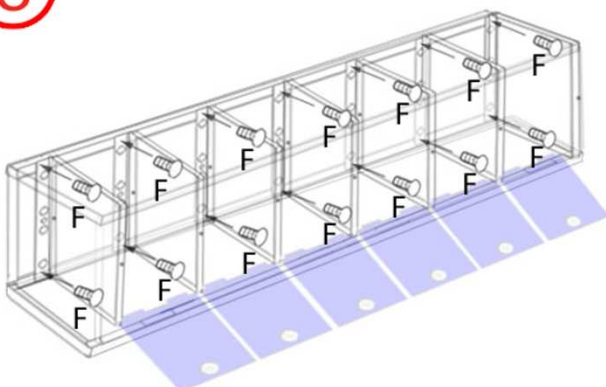
Open the locker doors with **Keys (G)**
Push the **Divider (E)** up on one side (remember one side is bolted down already) and slot the side of the Divider into the slot on the left and right panels

7



Screw (F) each of the dividers to the back panel with a screw in the centre of each one.

8



There are two holes below each divider, one left and one right. Stabilise the locker by **screwing (F)** the back to the left and right panels